

SKR

SPIROKANALSKA REŠETKA TUBE SLOT GRILL



OPIS:

Spirokanalska rešetka je primerna za dovajanje toplega in hladnega zraka v večje prostore (telovadnice, dvorane, industrijske hale...)

KONSTRUKCIJA:

- rešetka
- poljubno število rež
- črni plastični usmerniki zraka

DODATKI:

- na željo kupca se vgradi regulator količine zraka
Regulator se nastavlja s pomočjo izvijača skozi režo.
- v kolikor je v liniji vgrajenih več spirokanalskih rešetak brez regulatorja, priporočamo, da se med njimi vgradijo enostavne regulacijske lopute

MATERIAL: pocinkana pločevina

BARVA: bela barva RAL 9010 ali na željo kupca poljubna barva po RAL lestvici

MONTAŽA: rešetka se z vijaki pritrdi na pravokotno odprtino prezračevalne cevi

DESCRIPTION:

The tube slot grill is suitable for the supply of warm and cold air to larger areas (e.g. of gymnasiums, conference and industrial halls).

CONSTRUCTION:

- the grill
- optional numbers of slots
- black plastic air deflector elements

ACCESSORIES:

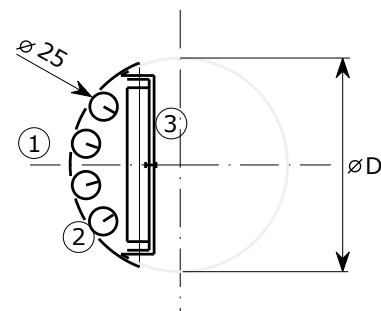
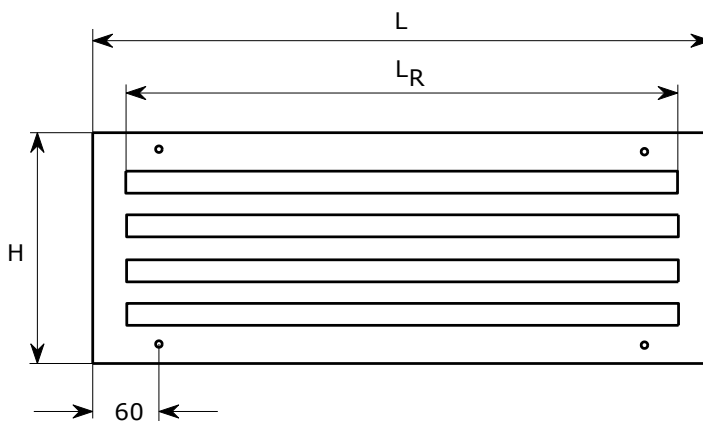
- air volume regulator is installed on customer's request. Regulator is adjusted with a screwdriver through a slot.
- damper is recommended for installation with several tube slot grills without regulator in one line

MATERIAL: galvanized sheet metal

FINISH: white RAL 9010 or can be any RAL colour according to the customer's request.

MONTAGE: the grille is screw into square opening on the round duct.

DIMENZIJE / DIMENSIONS:



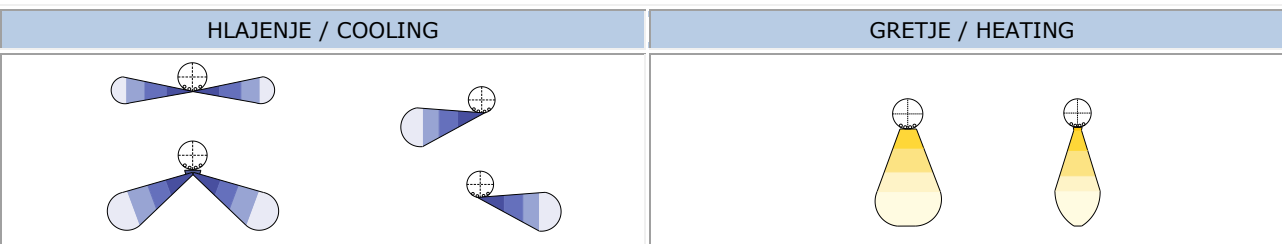
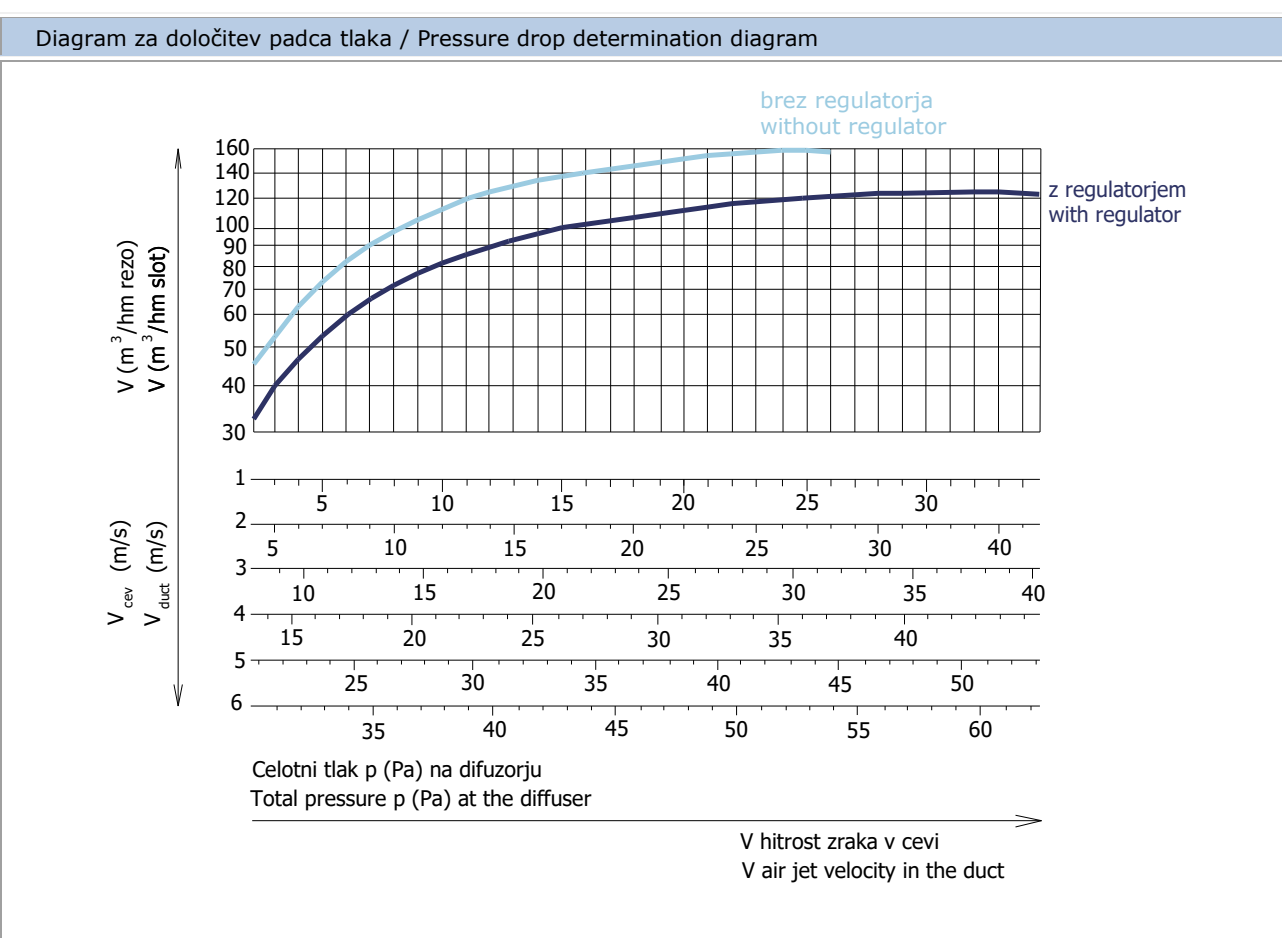
1. cev / tube
2. plastični usmerniki zraka / plastic air deflector
3. regulator pretoka zraka / air volume regulator

| L | L _R | Ø D | število rež number of slots | H |
|-----|----------------|-----------|--------------------------------|---|
| 560 | 500 | 150 - 280 | 2 - 4 | 50 + (število rež x 40) 50 + (No. of slots x 40) |
| | | 280 - 355 | 2 - 6 | |
| | | 355 - 500 | 2 - 8 | |
| | | 500 - 900 | 2 - 14 | |

TEHNIČNI PODATKI / TECHNICAL DATA:

| L reže L of slot | Število rež No. of slots | Lwa[dB(a)] | Priporočen pretok zraka / Recommended air flow volume [m³/h] | | | |
|---------------------|-----------------------------|------------|--|---------|---------|---------|
| | | | 150-250 | 280-355 | 400-450 | 500-900 |
| 500 | 2 | 26 | 90 | 90 | 90 | 90 |
| | 4 | 30 | 180 | 180 | 180 | 180 |
| | 6 | 34 | | 270 | 270 | 270 |
| | 8 | 35 | | | 360 | 360 |
| | 10 | 36 | | | 450 | 450 |
| | 12 | 37 | | | | 540 |
| | 14 | 38 | | | | 630 |

Priporočen pretok zraka je 45 m³/h na režo (L=500mm) / The recommended air flow is 45 m³/h per slot (L=500mm)



NAČIN NAROČANJA / HOW TO ORDER:

| SKR | 315 | / | 2 | REGULATOR | ZN | RAL 9010 |
|-----|-----|---|---|-----------|----|--|
| | | | | | | barva / colour standard RAL 9010 optional material: standard ZN opcija / optional AL, INOX dodatki / supplements: regulator pretoka zraka / air volume regulator regulacijska loputa / damper povezovalni kos / joining piece število rež / number of slots dimenzija cevi / tube dimension tip / type |