

ED2

VRTINČNI DIFUZOR SWIRL DIFFUSER



OPIS:

ED 2 enostavni vrtinčni difuzor je difuzor manjših do srednjih dimenzij primeren za vgradnjo v prostore z nižjimi stropi od 2,8m do 3,5m.

KONSTRUKCIJA:

- lijakasto oblikovano ohišje
- fiksne lamele
- okrogla razporeditev lamel

MATERIAL: jeklena pločevina

BARVA: bela barva RAL 9010 ali na željo kupca poljubna barva po RAL lestvici

DODATKI:

PL - plošča dim 595x595 mm za vgradnjo difuzorja v spuščen strop

PP - perforirana plošča v vratu difuzorja

PB 3 - priključna komora PB3

PB 4 - priključna komora PB4

DESCRIPTION:

The ED 2 simple swirl diffuser is a diffuser with small to medium dimensions. It can be used for low and medium ceiling heights from 2.8m to 3.5m.

CONSTRUCTION:

- nozzle shaped casing
- fixed blades
- radial blade arrangement

MATERIAL: steel sheet metal

FINISH: white RAL 9010 or can be any RAL colour according to the customer's request.

ACCESSORIES:

PL - plate dim.595x595 for installation in prefabricated ceilings

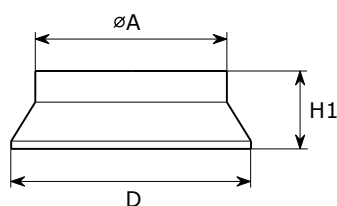
PP - perforated plate placed on the neck of the diffuser

PB 3 - plenum box PB3

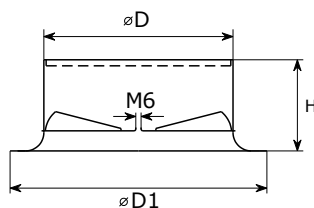
PB 4 - plenum box PB4

DIMENZIJE / DIMENSIONS:

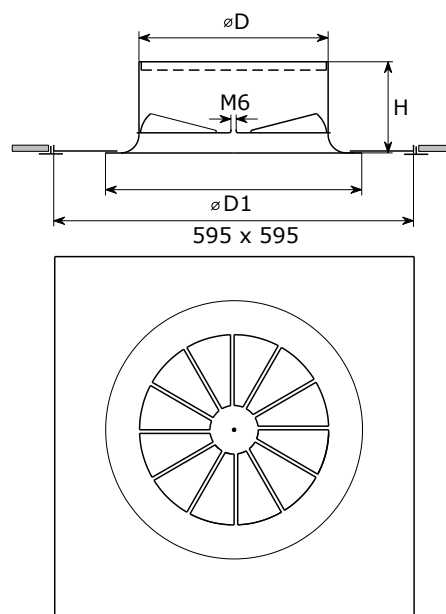
D	Ø D	Ø D1	Ø A	H	H1
100	98	150	78	65	70
125	123	185	98	65	70
160	158	220	123	80	70
200	198	280	158	105	80
250	248	345	198	120	80
315	313	425	248	150	80
400	398	530	313	180	90



RD



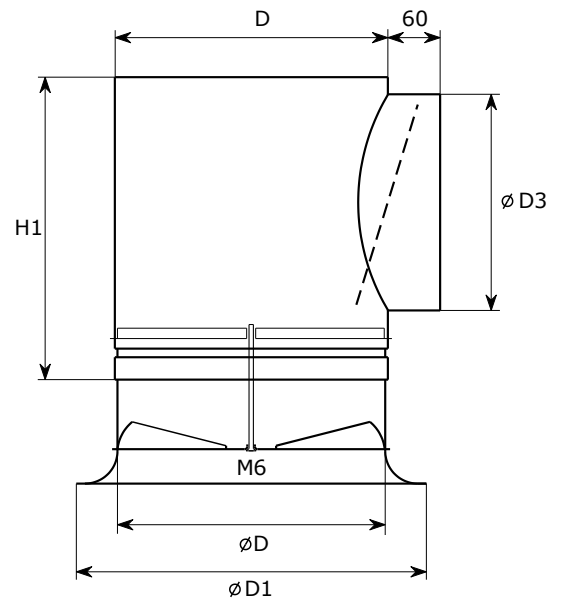
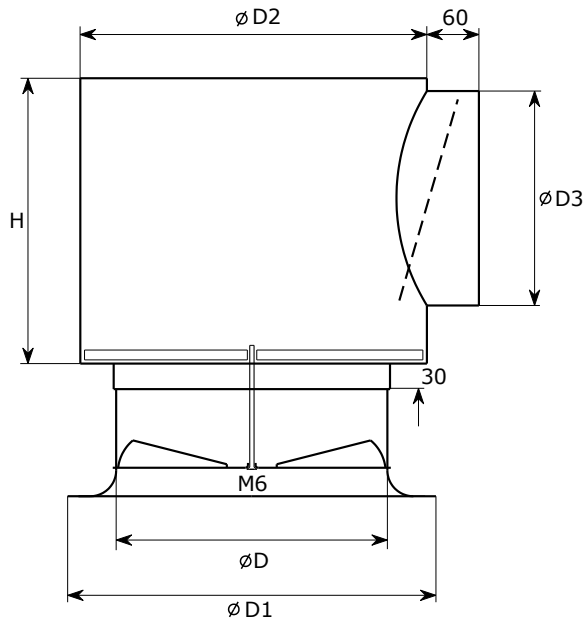
ED-2



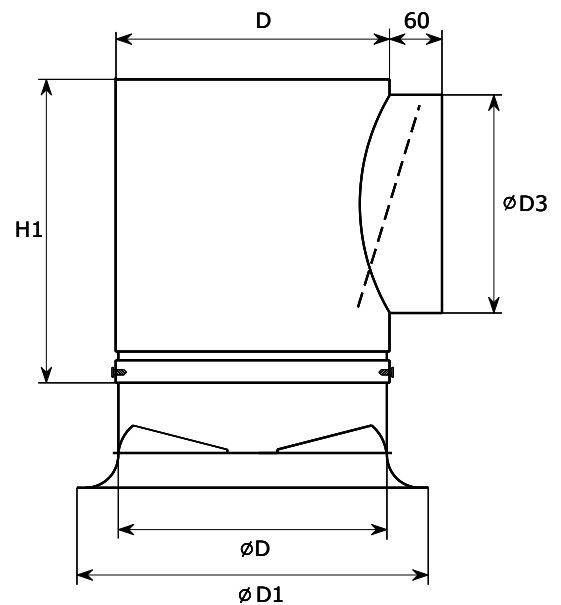
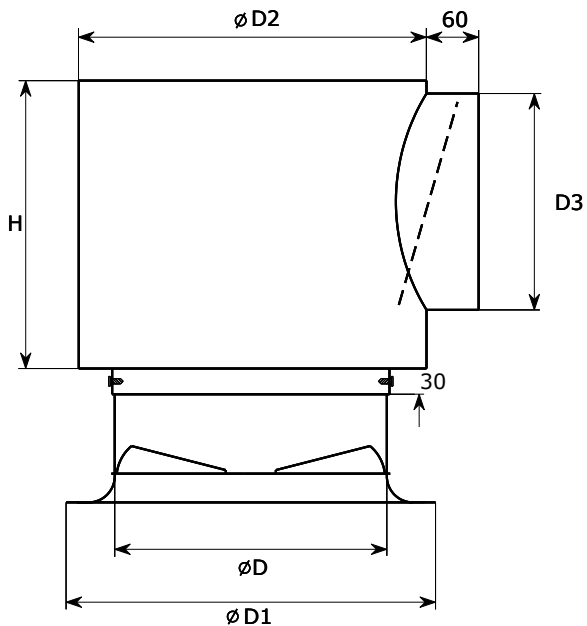
ED-2 PL

MONTAŽA NA KOMORO / MONTAGE ON PLENUM:**ED 2 + PB 3****ED 2 + PB 4**

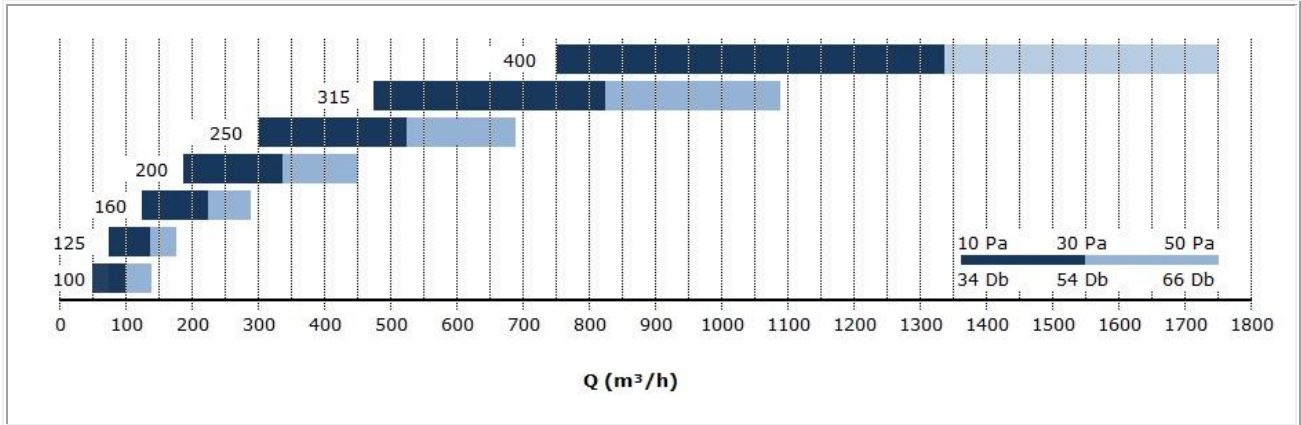
1. S centralnim vijakom / With central screw



2. S stranskim vijakom na vratu difuzorja / With side screw on the neck of the diffuser



	$\varnothing D$	$\varnothing D1$	$\varnothing D2$	$\varnothing D3$	H	H1
100	98	150	200	98	180	208
125	123	185	225	98	180	208
160	158	220	260	123	205	223
200	198	280	300	158	240	258
250	248	345	350	198	280	298
315	313	425	415	248	330	348
400	398	530	500	313	395	413

HITRA IZBIRA / FAST SELECTION:**NAČIN NAROČANJA / HOW TO ORDER:**

ED 2	315	RAL 9010	PP+PL	C	PB 3	315	/	248	S	L	ISO 6mm
											izolacija / insulation 6mm, 10mm, 19mm loputka / damper pozicija priključka / position of connection S - stranski / side V - vertikalni / vertical priključek / connection opening standard poljuben / optional dimenzija komore / plenum dimension komora / plenum PB3 komora / plenum box PB4 komora / plenum box montaža / montage C - s centralnim vijakom / with central screw S - s stranskim vijakom / with side screw dodatki / supplements RD - reducir / reducer PP - perforirana razpršilna plošča / perforated dispersing plate PL - plošča 595x595 / plate 595x595 barva / colour standard RAL 9010 dimenzija difuzorja / diffuser dimension 100, 125, 160, 200, 250, 315, 400 tip difuzorja / diffuser type