



PB4

PRIKLJUČNA KOMORA PLENUM BOX

OPIS:

Komora PB4 se uporablja v kombinaciji z difuzorji tipa ED in VSD1. Komora je ozke in visoke oblike zato je primerna za vgradnjo v objekte z visokimi stropi.

KONSTRUKCIJA: komora je valjaste oblike z okroglo priključno odprtino na vertikalni ali horizontalni poziciji.

MATERIAL: pocinkana pločevina

DODATKI:

- prečka za pritrditev difuzorja
- ISO - izolacija znotraj ohišja 6, 10 ali 19mm

DESCRIPTION:

Plenum PB4 is used as supplement to swirl diffusers VSD1 and simple diffuser ED. It is suitable for high ceiling.

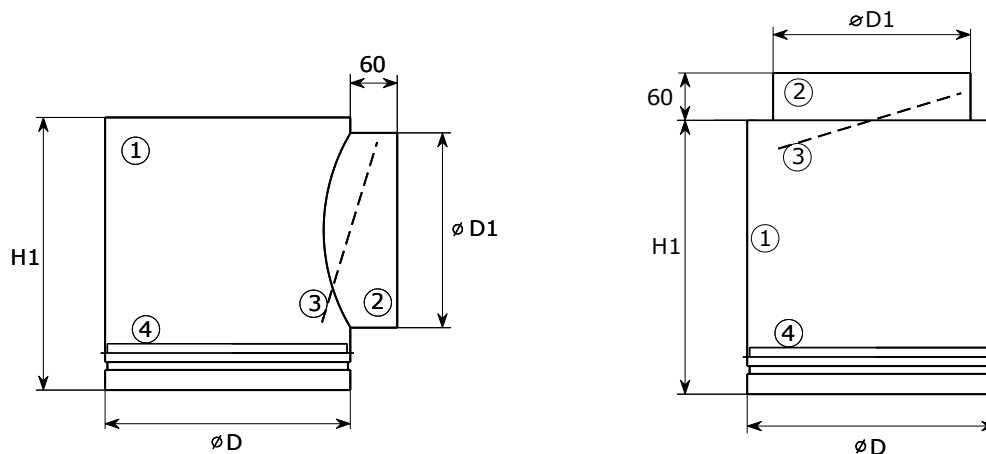
CONSTRUCTION: The Plenum PB 4 consists of a round casing and a round connection opening at horizontal or vertical positions.

MATERIAL: galvanized sheet metal

SUPPLEMENTS:

- traverse for mounting the diffuser
- ISO - insulation 6, 10 or 19 mm on the inner side of the casing

DIMENZIJE / DIMENSIONS:



| | øD | øD1 | | H | |
|------------|-----|-----|-----|-----|-----|
| 125 | 125 | 98 | | 208 | |
| 160 | 160 | 123 | 158 | 223 | 258 |
| 180 | 180 | 158 | | 258 | |
| 200 | 200 | 158 | 198 | 258 | 298 |
| 250 | 250 | 198 | 248 | 298 | 348 |
| 315 | 315 | 248 | 313 | 348 | 413 |
| 355 | 355 | 313 | | 413 | |
| 400 | 400 | 313 | 398 | 413 | 498 |
| 500 | 500 | 398 | | 498 | |

1. ohišje / casing
2. priključna odprtina / air connection opening
3. loputa / damper
4. prečka / traverse

NAČIN NAROČANJA / HOW TO ORDER:

| | | | | | |
|-------------|-------------|---|-------------|----------|----------------|
| PB 4 | Ø250 | / | Ø198 | H | ISO 6mm |
|-------------|-------------|---|-------------|----------|----------------|

dodatki / supplements

izolacija / insulation 6mm, 10mm, 19mm

prečka / traverse

pozicija priključka / connection position

H – horizontalen / horizontal

V – vertikalni / vertical

priključek / connection opening

standard

poljuben / optional

dimenzija / dimension

125, 160, 180, 200, 250, 315, 355, 400, 500

tip komore / plenum box type