



VD-2

SWIRL DIFFUSER

DESCRIPTION

The VD-2 swirl diffuser with adjustable air diffusers is designed for ventilating low-rise rooms from 2.6 m to 4 m high. It is suitable for installation in dropped ceilings.

CONSTRUCTION

- square or round diffuser
- plastic deflectors
- radial deflector arrangement

MATERIAL AND FINISH

Carbon steel sheet metal.

Standard finish: RAL 9010 matte.

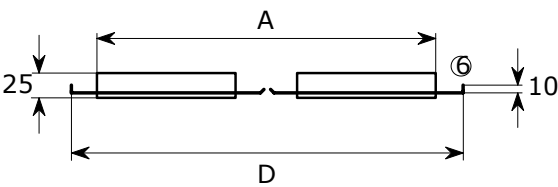
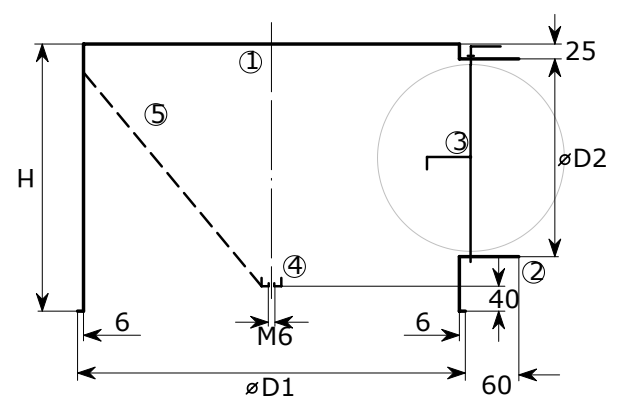
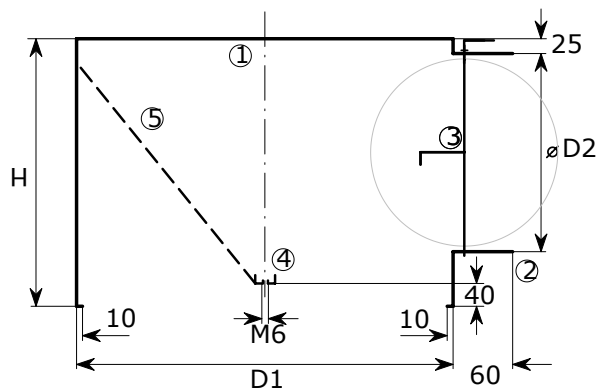
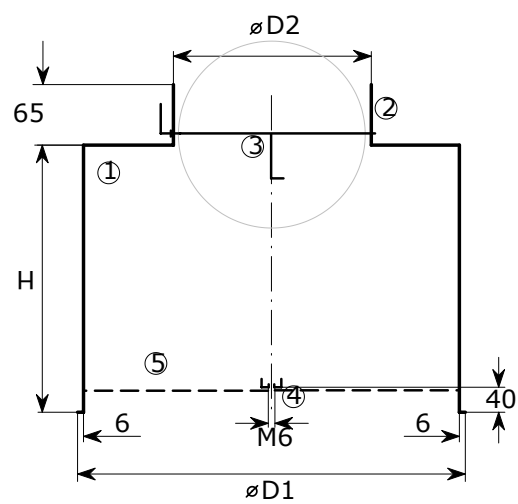
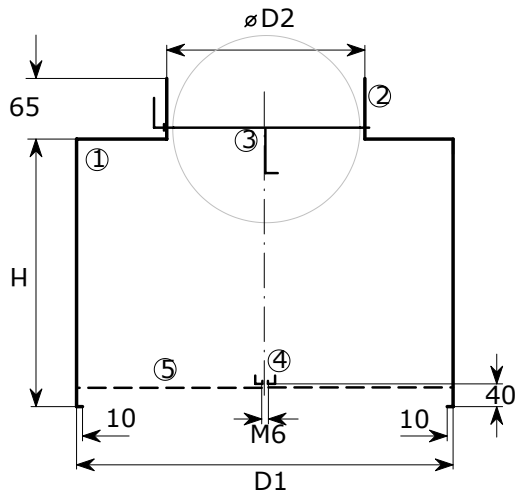
Optional finish: any colour from the RAL palette.

DIMENSIONS

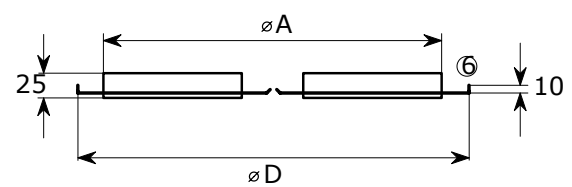
- 1 – plenum box PB-2
- 2 – round connection opening
- 3 – volume control damper
- 4 – mounting bar
- 5 – dispersing plate (for supply only)
- 6 – diffuser

| | D | Ø D | D1 | Ø D2 * | H * | A |
|--------|-----|-----|-----|------------|------------|-----|
| 310/8 | 305 | 310 | 301 | 158 | 230 | 275 |
| 400/16 | 395 | 400 | 391 | 158 or 198 | 230 or 270 | 365 |
| 500/16 | 495 | 500 | 391 | 158 or 198 | 230 or 270 | 365 |
| 600/16 | 595 | 600 | 391 | 158 or 198 | 230 or 270 | 365 |
| 625/16 | 620 | 625 | 391 | 158 or 198 | 230 or 270 | 365 |
| 500/24 | 495 | 500 | 491 | 198 or 248 | 270 or 320 | 450 |
| 600/24 | 595 | 600 | 591 | 198 or 248 | 270 or 320 | 550 |
| 625/24 | 620 | 625 | 591 | 198 or 248 | 270 or 320 | 550 |
| 600/48 | 595 | 600 | 591 | 248 | 320 | 565 |
| 625/54 | 620 | 625 | 616 | 248 | 320 | 590 |
| 800/72 | 795 | 800 | 791 | 313 or 348 | 385 or 420 | 765 |

* Where two options are listed for Ø D2, the values correspond in pairs – the first Ø D2 corresponds to the first H value, and the second Ø D2 to the second H value.



K - Square



R - Round

DIFFUSER SHAPES AND DEFLECTOR ARRANGEMENTS

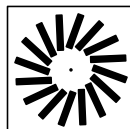
K - SQUARE

R - ROUND

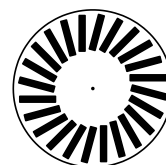
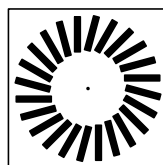
Dimension 310/8

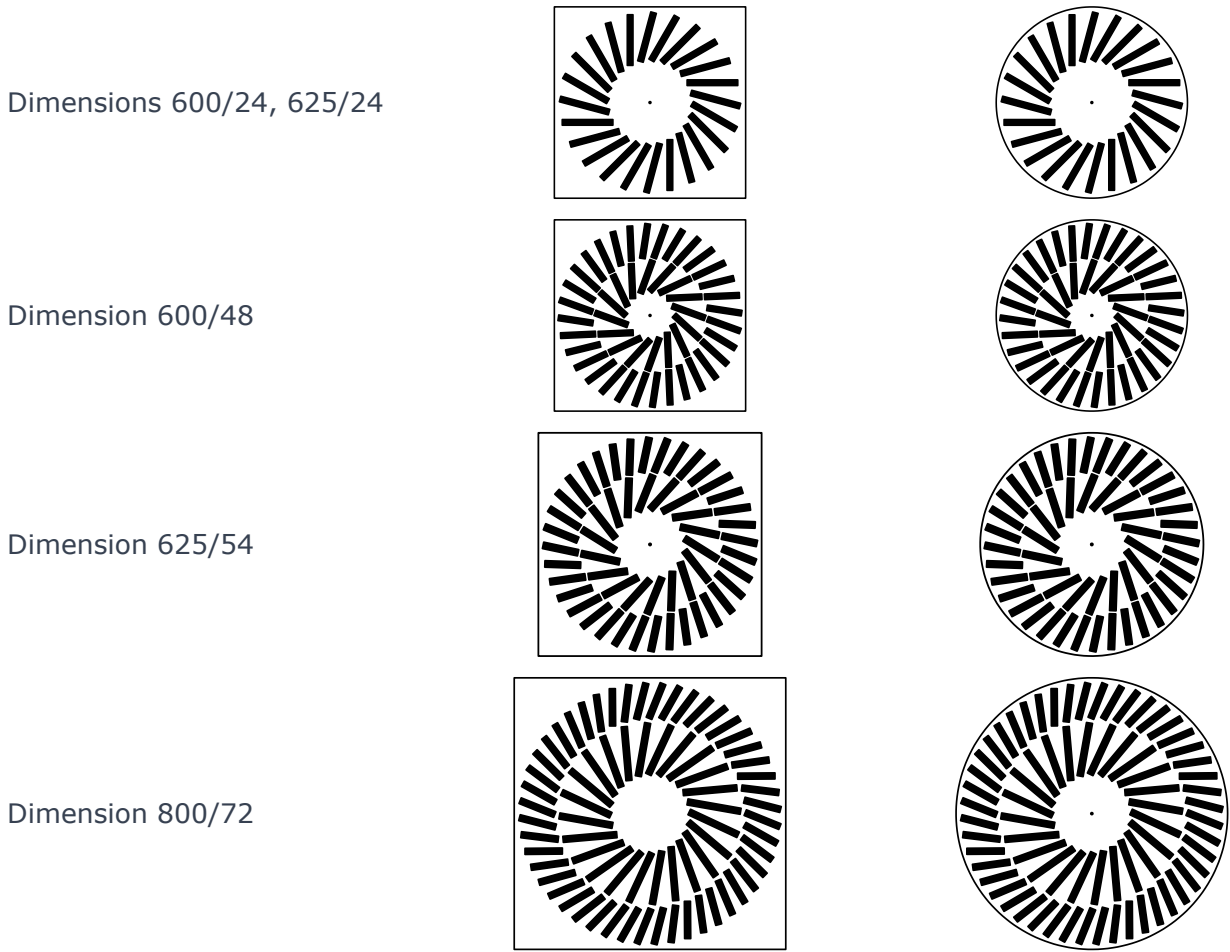


Dimensions 400/16, 500/16, 600/16, 625/16



Dimension 500/24

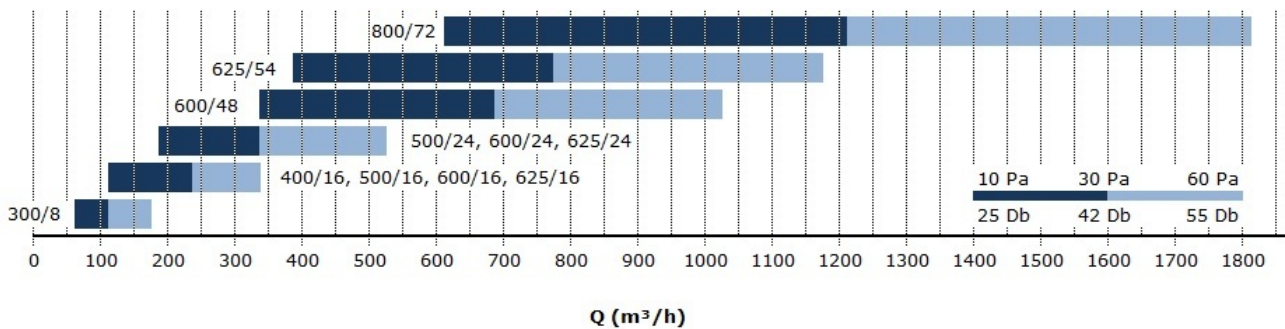




INSTALLATION

With one central or four side screws on the plenum box PB-2.

QUICK SELECTION



PRODUCT CODE

| | | | | | | | | | | | | | |
|----------------|---|-----|---|----|----------|---|------|-----|---|-----|---|----|---|
| VD-2 | K | 600 | / | 24 | RAL 9010 | Z | PB-2 | 600 | / | 198 | H | PP | ISO 6mm |
| | | | | | | | | | | | | | <p>Insulation 6, 10, 13, 19 mm</p> <p>Accessories PP – perforated dispersing plate</p> <p>Connection position H – horizontal V – vertical</p> <p>Connection dimension Connection dimension in mm</p> <p>Plenum box dimension Plenum box dimension in mm</p> <p>Plenum box PB-2 – plenum box for swirl diffuser</p> <p>Direction Z – supply A – exhaust</p> <p>Colour Standard: RAL 9010 matte Optional: any RAL colour</p> <p>Number of deflectors 8, 16, 24, 48, 54, 72</p> <p>Diffuser dimension 300, 400, 500, 600, 625, 800 mm</p> <p>Shape K – square R – round</p> |
| Product | | | | | | | | | | | | | |
| Swirl Diffuser | | | | | | | | | | | | | |